

GlammFire

Senses 3D

Electric

Materials//

Senses I 3D// Leather covered
OP//“Mississippi vermelho”
//“Montana branco”
//“Montana preto”

Senses II 3D// Lacquered
steel.
OP // white, black, red, cream

Senses III 3D// Rusted corten
steel

Senses IV 3D// Brushed
stainless steel



A new way to "feel" the ambiance of fireplaces.

Featuring the most advanced and innovative 3D eco-friendly technology the new Senses 3D Electric Fireplaces ensure a simple and safe use by applying an efficient operability of a water vapour release system.

The inner works of the 3D combines the latest technologies such as LEDS embedded in the decorative wood and a water vapour generator to simulate smoke. Added to a set of energy saving halogen bulbs, the system constantly regulates the intensity of the lights to the emission of the water vapour and delivers an amazing virtual flame that looks and feels remarkably realistic at any distance, a realistic aspect of real wood fireplace.

Dimensions// 700 h x 900 l x 170 p mm | 27,6" h x 35,4" l x 6,7" p

Weight// 40 kg | 88,2 lbs

Accessories//Remote control

Capacity of tank// 1,1 liter (filtered water)

Autonomy// 8 hours

Voltage// 220/240 V

Frequency// 50 Hz

Supply Cord// Schuko CEE (pag. 7)

Flame effect// Adjustable

Heating// 2000 W

Lamps// 4 x 50W Xenon Amber

Packing Dimensions (2 volumes) // 500 h x 1200 l x 800 p mm;

Total Weight// 52 kg

GlammFire

Glammfire, Lda.
Zona Industrial da Lagoa, Lote G1
4950-850 CORTES - MONÇÃO
PORTUGAL

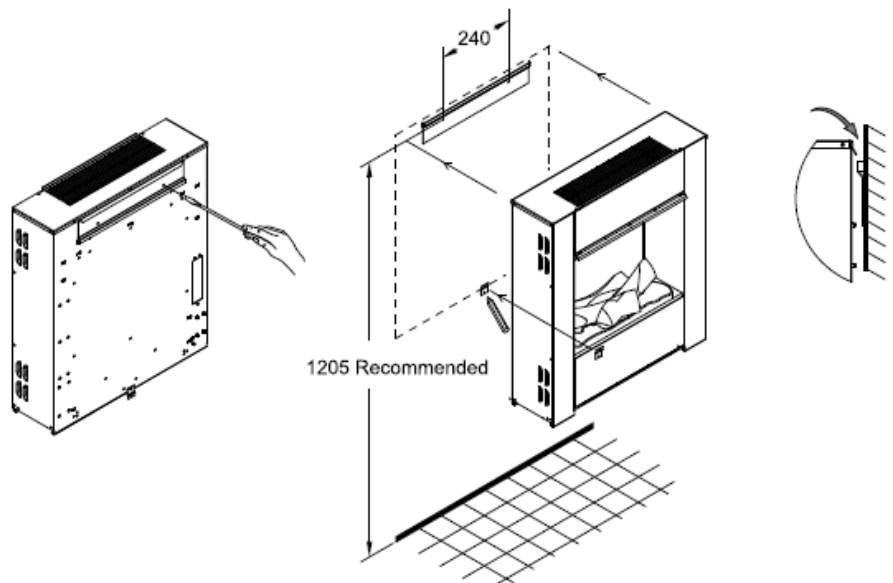
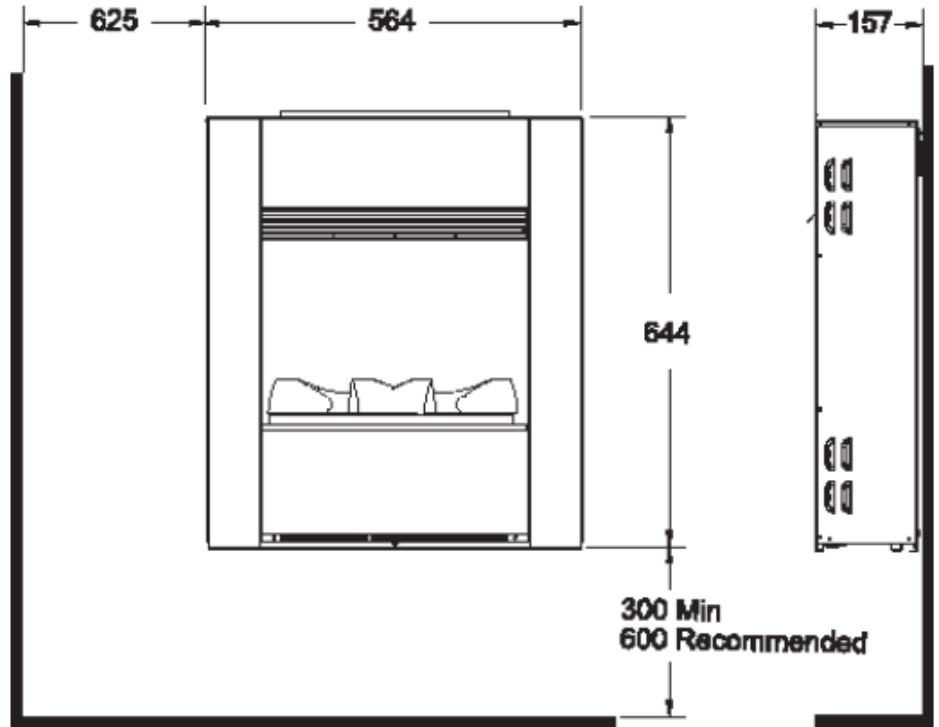
Tel(+351) 251 654 800
Fax(+351) 251 654 801
info@glammfire.com
www.glammfire.com

glamm
fire

GlammFire

Senses 3D

Dimensions/Installation schemes



GlammFire

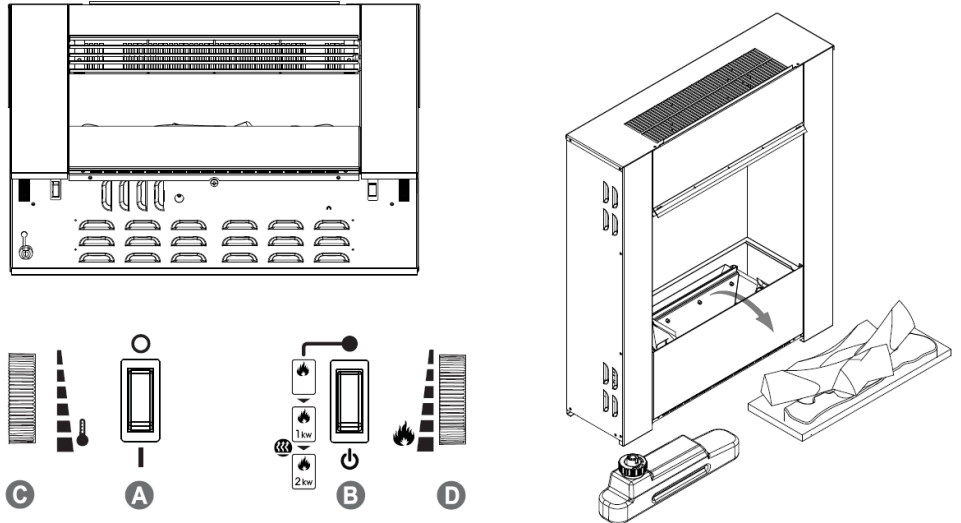
Glammfire, Lda.
Zona Industrial da Lagoa, Lote G1
4950-850 CORTES - MONÇÃO
PORTUGAL

Tel(+351) 251 654 800
Fax(+351) 251 654 801
info@glammfire.com
www.glammfire.com

glamm
fire

Senses 3D

Operating the Fire




Controlo manual





The Manual controls are located on the base of the appliance. (See Fig.2 for Manual Control lay out)

Switch "A": Controls the electricity supply to the Fire.

Note: This switch must be in the 'ON' (I) position for the Fire to operate with or without heat when activated.

Switch "B": Press  once to turn on the flame effect. This will be indicated by an audible "beep".

Although the main lights operate immediately it will take a further 30 seconds before the flame effect starts.

- Press  again to give flame effect and half heat. This will be indicated by two "beeps".
- Press  again to give flame effect and full heat. This will be indicated by three "beeps".
- Press  again to return to flame effect only. This will be indicated by one "beep".
- Press  to put fire in to standby mode. This will be indicated by one "beep".

GlammFire

Glammfire, Lda.
Zona Industrial da Lagoa, Lote G1
4950-850 CORTES - MONÇÃO
PORTUGAL

Tel(+351) 251 654 800
Fax(+351) 251 654 801
info@glammfire.com
www.glammfire.com

Control knob "C": Controls the Thermostat setting.

Turning the control knob towards you will decrease the temperature setting, turning the control knob away from you will increase the temperature setting.

GlamFire

Senses 3D

Control knob "D": Controls the intensity of the flame and smoke effect when the heater has been activated.

Turning the control knob towards you decreases the intensity of the flame and smoke effect. Turning the control knob away from you will increase the flame and smoke effect.

When the water tank is empty the main lamps go out. See instructions under 'Maintenance', 'Filling the water tank'.

When this procedure is complete, the main lamps will illuminate but it will take 30 seconds before the flames return.

Setting the Thermostat

Plug in and switch on the fire to the full heat setting. Turn the Control Knob 'C' fully away from you (max temperature setting) to warm the room rapidly. When the room temperature has reached the desired level, turn the thermostat knob back slowly until the thermostat just clicks off. The heater will then maintain the room temperature at the chosen level.

Note: Should your heater fail to come on when the thermostat is at a low setting, this may be due to the room temperature being higher than the thermostat setting

Thermal Safety Cut-out

A thermal safety cut-out is incorporated in the fan heater to prevent damage due to overheating. This can happen if the heat outlet was restricted in any way. If the cut-out operates, unplug the heater from the socket outlet and allow approximately 10 minutes before reconnecting. Before switching the heater back on remove any obstruction that may be restricting the heat outlet, then continue normal operation.

Caution: In order to avoid hazard due to inadvertent resetting of the thermal cut out, this appliance must not be supplied through an external switching device, such as a timer, or connected to a switch that is regularly switched on and off by the utility.

Tips for using your appliance

1. With the flame and smoke setting on minimum the unit will use approximately 40ml of water per hour and will last 3 times as long than when it is at maximum flame setting.
2. Do not tilt or move the fire while there is water in the tank or sump.
3. Make sure that the fire is fixed level on the wall.
4. The flame control knob 'D' Fig.2 may be turned up or down to give a more realistic effect.

GlamFire

Glamfire, Lda.
Zona Industrial da Lagoa, Lote G1
4950-850 CORTES - MONÇÃO
PORTUGAL

Tel(+351) 251 654 800
Fax(+351) 251 654 801
info@glamfire.com
www.glamfire.com

glam[®]
fire

GlammFire

Senses 3D

5. Sometimes the flames appear more real when the flame control knob is turned down to a low setting.

6. Give the flame generator some time to react to changes you may make on the flame control knob.

GlammFire

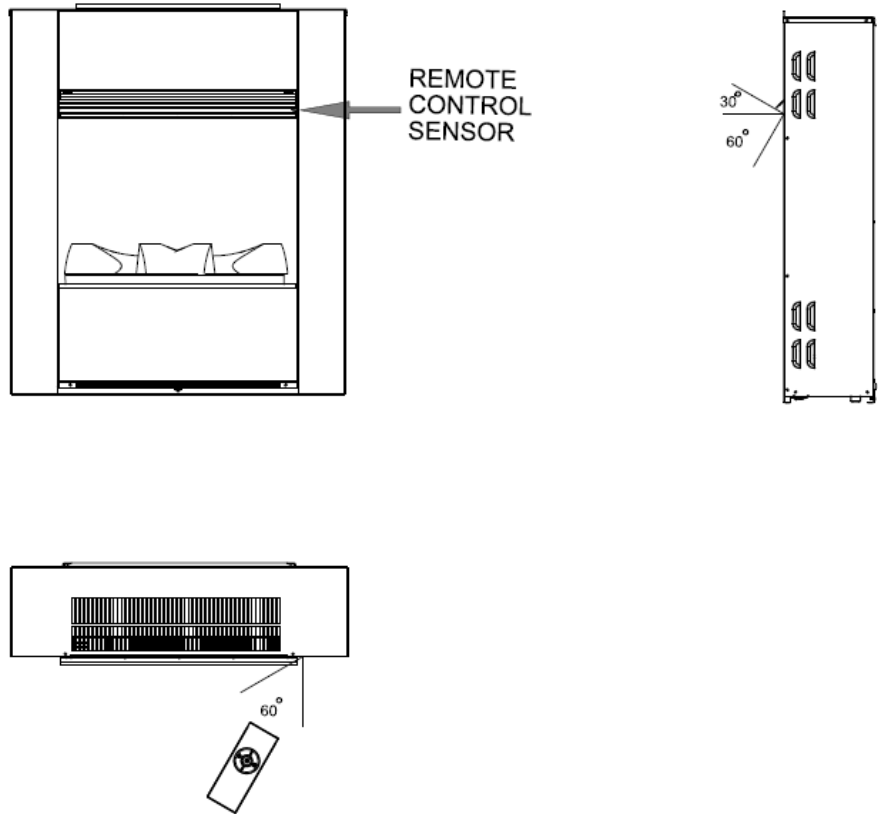
Glammfire, Lda.
Zona Industrial da Lagoa, Lote G1
4950-850 CORTES - MONÇÃO
PORTUGAL

Tel(+351) 251 654 800
Fax(+351) 251 654 801
info@glammfire.com
www.glammfire.com

glamm[®]
fire

Senses 3D

Remote control:



On the control panel, Switch A (see Fig.2) must be in the 'ON' (I) position in order for the remote control to operate. There are 3 buttons on the remote control. (See Fig.7) To operate correctly the remote handset must be pointed towards the heater outlet.(See Fig 12). The remote control functions are as follows:



Press once to turn on Flame effect only.
This will be indicated by one beep.



Press once to turn on Half heat and Flame effect.
This will be indicated by two beeps.
Press again to turn on Full heat and Flame effect.
This will be indicated by three beeps.



Standby
This will be indicated by one beep.

GlammFire

Glammfire, Lda.
Zona Industrial da Lagoa, Lote G1
4950-850 CORTES - MONÇÃO
PORTUGAL

Tel(+351) 251 654 800
Fax(+351) 251 654 801
info@glammfire.com
www.glammfire.com



GlammFire

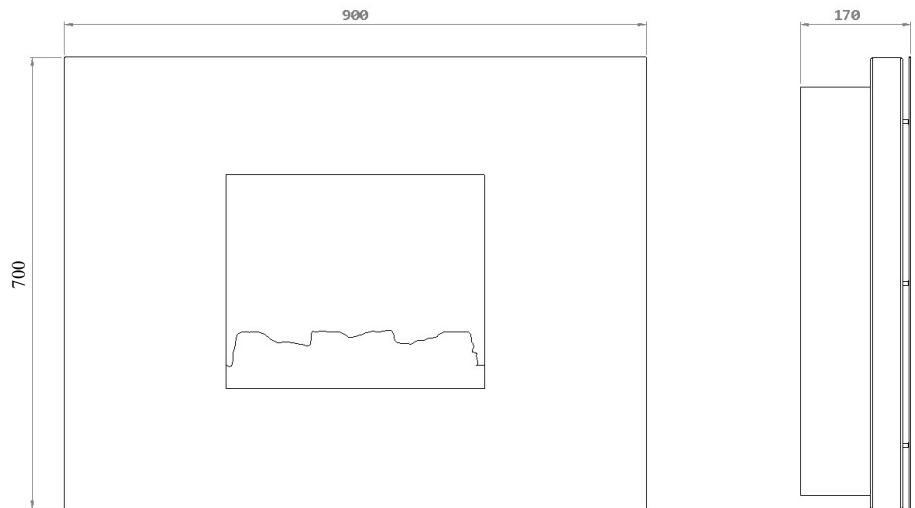
Senses 3D

Since it utilizes simple elements such as light and water, the Senses 3D is not only completely safe to those around it but is also environmentally friendly. With a hidden recipient capable of holding up to 1,1 lt. of filtered water the 3D has an autonomy of 8 hours of unattended operation offering the experience of a real fireplace with a minimum energy consumption and total safety.

The 3D Electric Fireplaces can be integrated into virtually any environment (room, bedroom, kitchen, bathroom, etc.) or directly in different types of structures (eg.: furniture or masonry). And since the system is totally safe for its users they are increasingly becoming part of projects led by architects, decorators and interior designers.

As ideal solution for public spaces the 3D has the added value of presenting itself as an eco-friendly product that does not contribute to the waste of energy nor harms the environment.

Dimensions

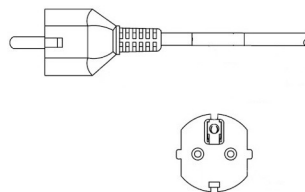


Supply Cord// Schuko CEE

GlammFire

Glammfire, Lda.
Zona Industrial da Lagoa, Lote G1
4950-850 CORTES - MONÇÃO
PORTUGAL

Tel(+351) 251 654 800
Fax(+351) 251 654 801
info@glammfire.com
www.glammfire.com



PT04458-D

glamm
fire