

GlammFire

SQUARE GAS COMBUSTION ZONE



GlammFire

Recuperadores Pachinha Lda.
Zona Industrial da Lagoa, Lote G1
4950-850 CORTES - MONÇÃO
PORTUGAL

Tel(+351) 251 654 800
Fax(+351) 251 654 801
info@glammfire.com
www.glammfire.com

glamm
fire

GlammFire

Square gas combustion zone



Technical characteristics

Square gas combustion zone

Materials// AISI 316 stainless steel

Finishings// Brushed AISI 316 stainless steel

Dimensions// / W500 x D500 x H290 mm | W19,7 x D19,7 x H11,4"

Weight// 40 kg | 88,2 lbs

Accessories// Combustion zone decorative stones (decorative marble stones 3 kg) - optional

Decorative ceramic logs (each pack has 5 units) - optional

Decorative clear glass (500g) - optional

Volcanic stones - optional

Set of 4 high temperature resistant glasses with support - optional

Home automation option - optional

GlammFire

Recuperadores Pachinha Lda.
Zona Industrial da Lagoa, Lote G1
4950-850 CORTES - MONÇÃO
PORTUGAL

Tel(+351) 251 654 800
Fax(+351) 251 654 801
info@glammfire.com
www.glammfire.com

Fuel// Propane gas/ Butane gas/ Natural gas

Consumption // Propane / Butane: 0,5—1,6 kg/h

Pressure // Propane / Butane: 37,0 mbar

Ignition mode// Remote Control

Type of combustion/ Open

Power// 12–28,8 kW

Gas connection // 3/8" G / Ø 12mm (ISSO 7-1/EN 10226-1)

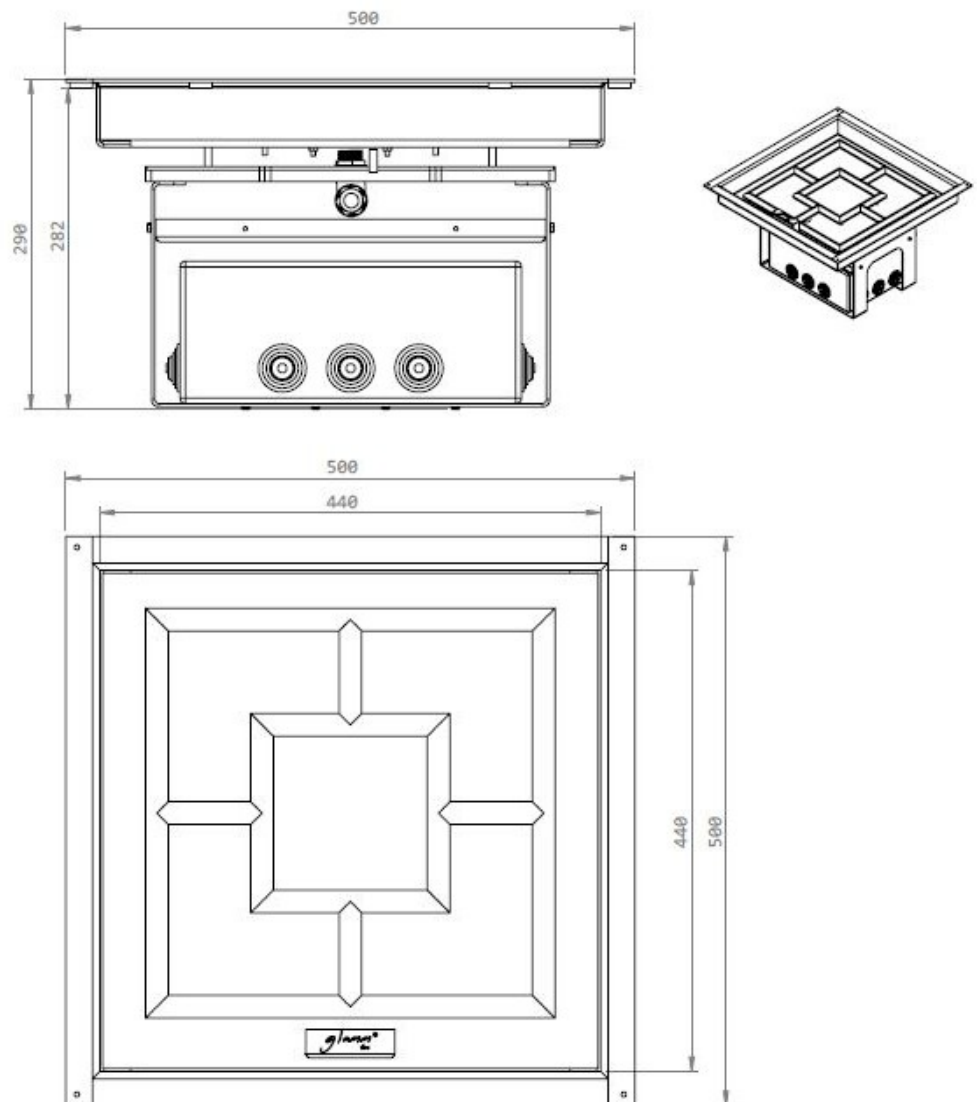
Gas control kit - approvals // Gas appliance directive //2009/142/CE DIN EN126 / DIN EN13611

glamm
fire

GlammFire

Square gas combustion zone

General dimensions



GlammFire

Recuperadores Pachinha Lda.
Zona Industrial da Lagoa, Lote G1
4950-850 CORTES - MONÇÃO
PORTUGAL

Tel(+351) 251 654 800
Fax(+351) 251 654 801
info@glammfire.com
www.glammfire.com

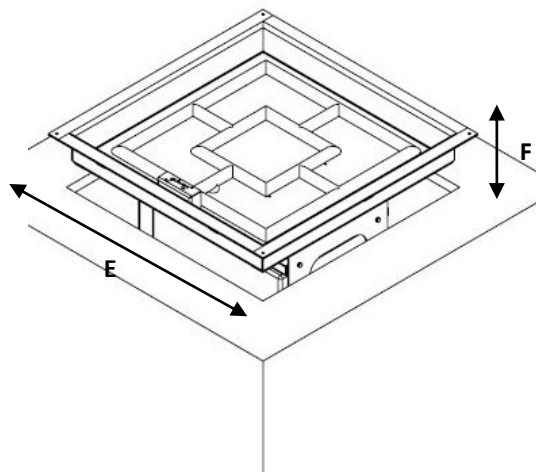
glamm
fire

Square gas combustion zone

Built-in dimensions

Gas combustion zone	Length/Width (A)	Height (B)
	458mm	>320mm

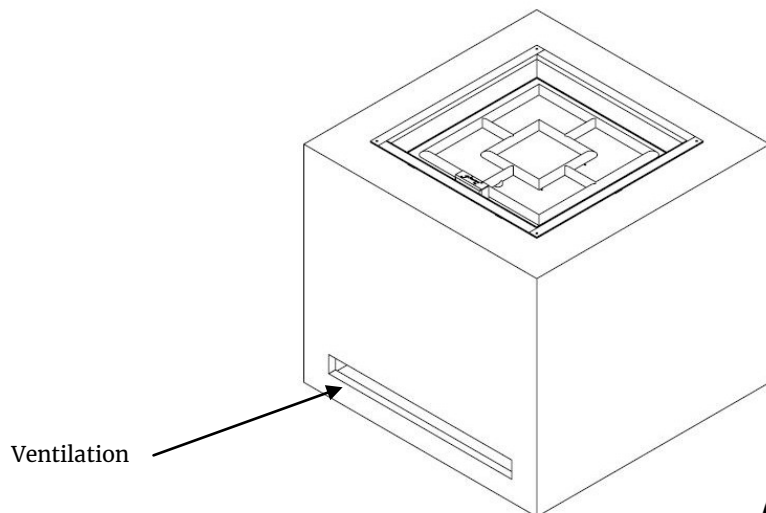
Table 1: Minimum dimensions required for the installation hole.



Note: The surface where the gas combustion zone round is installed must be properly leveled.

Ventilation area

Adequate ventilation must be provided for proper installation. A ventilation area of **552 cm²** must be taken into account.



GlammFire

Recuperadores Pachinha Lda.
Zona Industrial da Lagoa, Lote G1
4950-850 CORTES - MONÇÃO
PORTUGAL

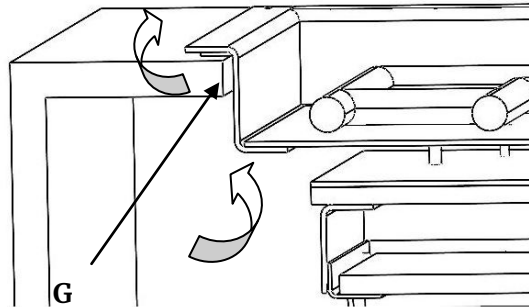
Tel(+351) 251 654 800
Fax(+351) 251 654 801
info@glammfire.com
www.glammfire.com

Square gas combustion zone

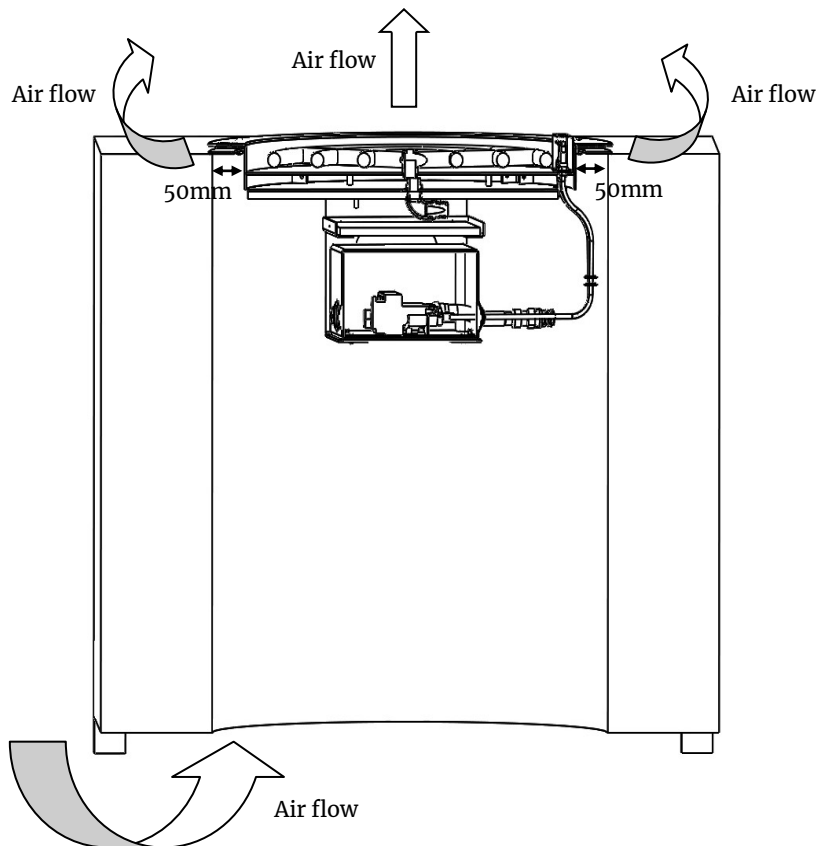
When installing the square gas combustion zone, ventilation (ca. 50mm) must be ensured around the square gas combustion zone when embedded (Figure 1).

Circulation of na air flow shall be ensured so that it covers the embedded components.

Therefore, air must be supplied to the lower part of the installation site for the correct functioning of the system. (Figure 1).



Note: The square gas combustion zone is provided with its own spacers (**G**) in order to avoid improper installation (obstruction of the air flow required to ventilate the square gas combustion zone).



GlammFire

Recuperadores Pachinha Lda.
Zona Industrial da Lagoa, Lote G1
4950-850 CORTES - MONÇÃO
PORTUGAL

Tel(+351) 251 654 800
Fax(+351) 251 654 801
info@glammfire.com
www.glammfire.com

Figure 1: Representation of free space and air circulation.