

glamm[®]
fire

Technical Data Sheet

Rectangular gas burner



Rectangular gas burner

Dimensions// 1000 | 1500 | 2000 | 3000

Materials // Inox AISI 316

Finishings // Aço Inox AISI 316 escovado

Dimensions // 1000 | 1500 | 2000 | 3000 w x 300 d x 308 h mm

Accessories // White/ black decorative stones - optional

1000 mm: 12 kg

2000 mm: 24 kg

// Volcanic stones - optional

// Set of 4 high temperature resistant glass - optional

// Decorative ceramic logs (each pack has 5 units) - optional

// Decorative clear glass (500g) - optional

// Protection cover in brushed stainless steel - optional

// Home automation option - optional

// External box for batteries - optional

Combustion zone

Fuel // Propane gas / Butane gas

Consumption // Propane / Butane: 0.4 - 1.7 kg/h

Pressure // Propane / Butane: 37.0 mbar

Power // 1000 mm: 4.38 - 18.6 kW

2000 mm: 8.76 - 37.21 kW

Gas connection // 3/8" G / Ø 12mm (ISO 7-1/EN 10226-1)

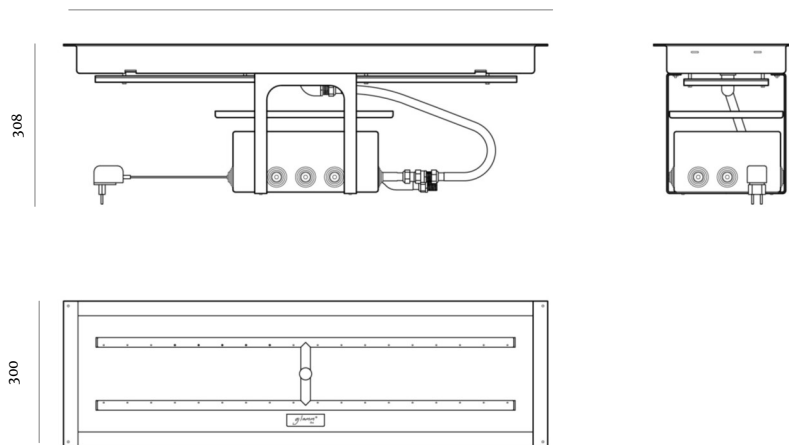
Ignition mode // Remote control

Gas control kit - approvals //

Gas appliance directive 2009/142/CE

DIN EN298 / DIN EN126 / DIN EN13611

1000 | 1500 | 2000 | 3000



glamm[®]
fire



GlammFire
Recuperadores Pachinha, Lda.
Zona Industrial da Lagoa, Lote G1
4950-850 Monção
Portugal

info@glammfire.com

T. +351 251 654 800 | F. +351 251 654 801

www.glammfire.com



/ glammfire